

SPARE PARTS SECTION

Heavy Duty Shrinker Stretcher

Model. SHST1.6HD

Order Code S2266

Edition No : SHST1.6HD-1

Date of Issue : 05/2021

The following section covers the spare parts diagrams and lists that were current at the time this manual was originally printed. Due to continuous improvements of the machine, changes may be made at any time without notification.

HOW TO ORDER SPARE PARTS

1. Have your machines **model number, serial number & date of manufacture** on hand, these can be found on the specification plate mounted on the machine
2. A scanned copy of your parts list/diagram with required spare part/s identified.

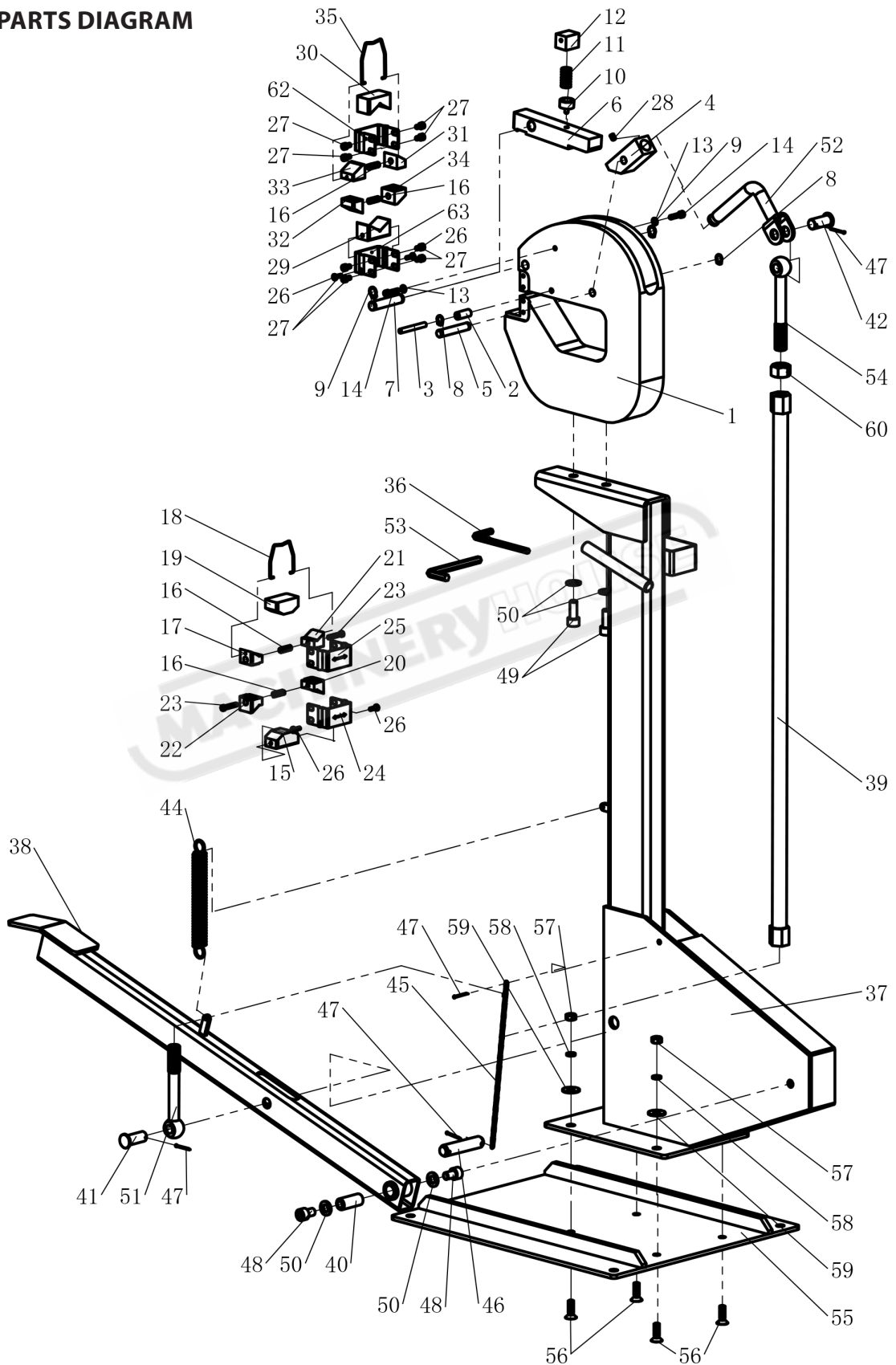
NOTE: SOME PARTS MAY ONLY BE AVAILABLE AS AN ASSEMBLY

3. Go to www.machineryhouse.com.au/contactus and fill out the inquiry form attaching a copy of scanned parts list.

CONTENTS

| | |
|--------------------------|----|
| Spare Parts Diagram..... | 16 |
| Spare Parts List..... | 17 |

SPARE PARTS DIAGRAM



SPARE PARTS LIST

| ITEM | DESCRIPTION | QTY. | ITEM | DESCRIPTION | QTY. |
|------|-------------------------|------|------|----------------------------|------|
| 1 | Base | 1 | 33 | Shrinker Jaw 3 | 1 |
| 2 | Spacer Tube | 1 | 34 | Shrinker Jaw 4 | 1 |
| 3 | Shaft | 1 | 35 | Shrinker Hook | 1 |
| 4 | Back Block | 1 | 36 | Hex Head Wrench 4mm | 1 |
| 5 | Back Shaft | 1 | 37 | Frame | 1 |
| 6 | Front Block | 1 | 38 | Footplate Bar | 1 |
| 7 | Front Shaft | 1 | 39 | Bar | 1 |
| 8 | C-ring 10mm | 2 | 40 | Bushing | 1 |
| 9 | C-ring 12mm | 2 | 41 | Pin | 1 |
| 10 | Lower Spring Fixing Set | 1 | 42 | Pin | 1 |
| 11 | Spring | 1 | 44 | Spring | 1 |
| 12 | Upper Spring Fixing Set | 1 | 45 | Chain | 1 |
| 13 | Washer 5mm | 2 | 46 | Pin | 1 |
| 14 | Screw M5X20 | 2 | 47 | Split Pin | 4 |
| 15 | Stretch Lower V-Block | 1 | 48 | Screw M10X16 | 2 |
| 16 | Suspension Spring | 4 | 49 | Screw M10X20 | 2 |
| 17 | Stretch Jaw 1 | 1 | 50 | Washer 10mm | 4 |
| 18 | Stretch Hook | 1 | 51 | Swivel Bolt M16 X120 | 2 |
| 19 | Stretch Upper V-Block | 1 | 52 | Driving Handle | 1 |
| 20 | Stretch Jaw 2 | 1 | 53 | Hex Head Wrench 8mm | 1 |
| 21 | Stretch Jaw 3 | 1 | 54 | Swivel Bolt (levorotatory) | 1 |
| 22 | Stretch Jaw 4 | 1 | 55 | Bottom Plate | 1 |
| 23 | Screw M5X25 | 2 | 56 | Screw M8X25 | 4 |
| 24 | Lower Jaw Cover | 1 | 57 | Nut M8 | 4 |
| 25 | Upper Jaw Cover | 1 | 58 | Spring Washer 8 mm | 4 |
| 26 | Screw M5X12 | 4 | 59 | Washer 8 mm | 4 |
| 27 | Screw M5X8 | 8 | 60 | Nut M16 | 1 |
| 28 | Screw M6X8 | 1 | 61 | Hex Head Wrench 5mm | 1 |
| 29 | Shrinker Lower V-Block | 1 | 62 | Upper Jaw Cover | 1 |
| 30 | Shrinker Upper V-Block | 1 | 63 | Lower Jaw Cover | 1 |
| 31 | Shrinker Jaw 1 | 1 | | | |
| 32 | Shrinker Jaw 2 | 1 | | | |

NOTE: SOME INDIVIDUAL PARTS MAY ONLY BE AVAILABLE AS AN ASSEMBLY